

Joya, Joya PL, Joya Angolo, Joya Angolo PL, Vega, Vega PL, Vega Angolo, Vega Angolo PL

Blanka, Blanka PL, Blanka Angolo, Blanka Angolo PL

CONTENTS OF DELIVERY:

Part identifier	Item name	pcs
Plugged pipe 1.4404, 9x1x400	Sensor protection tube	1 pc
Water cycle fittings M32		1 set
Gasket seal HT VP M16/5-9 P69K	1713609	1 pc
Lock nut VM M16 MS	1714016	1 pc
Fasteners		
Flow direction sticker		1 pc
Heat exchanger supplies		
Heat exchanger tube, stainless steel 12 mm> 20 m		20/30 m
gasket (green)		2 pcs
locking ring		2 pcs
threaded connector (1/2" female thread)		2 pcs
Sensor PT1000	35 cm stick, 1 m Teflon cable	1 pc

PRODUCT INFORMATION:

Temperature range of incoming water: 20–70 °C

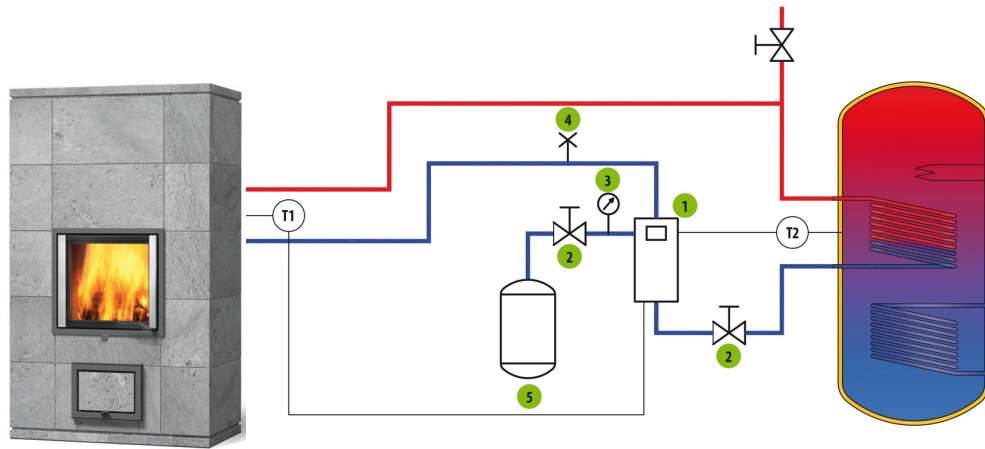
Temperature range of outgoing water: 40–80 °C

MADE TO ORDER:

Product	To the product	Heat energy transferred to water*
NUNNAUUNI-AQUA+	JOYA / JOYA ANGOLO / JOYA ANGOLO PL	5–10 KWH
	BLANKA / BLANKA ANGOLO / BLANKA ANGOLO PL	5–15 KWH
	VEGA / VEGA ANGOLO / VEGA ANGOLO PL	5–10 KWH
	JOYA PL	5–10 KWH
	BLANKA PL	5–15 KWH
	VEGA PL	5–10 KWH

* Depends on the temperature of the incoming water

SYSTEM DESCRIPTION:



1. Pump groups WS
2. Shut-off valve
3. Pressure gauge
4. Automatic deaerator
5. Expansion tank

T1 Fireplace temperature sensor PT 1000
T2 Accumulator temperature sensor

MEASURED VALUES OF THE SYSTEM:

Dimensioning pressure: 1,5 bar
Maximum pressure: 6 bar
Volume flow of water: 1 l/min

CONSIDERATIONS REGARDING THE SYSTEM:

- * A coil of hybrid accumulator with a capacity of at least 300 litres is recommended as accumulator
- * The water circuit requires its own circulation water pump and control unit that controls the pump based on the temperature difference between the fireplace and accumulator.
- * The system must be equipped with a deaerator, expansion tank and safety valve.
- * The recommended material of the piping is stainless steel or copper. Plastic and composite pipes are not suitable for the purpose due to their low temperature resistance.